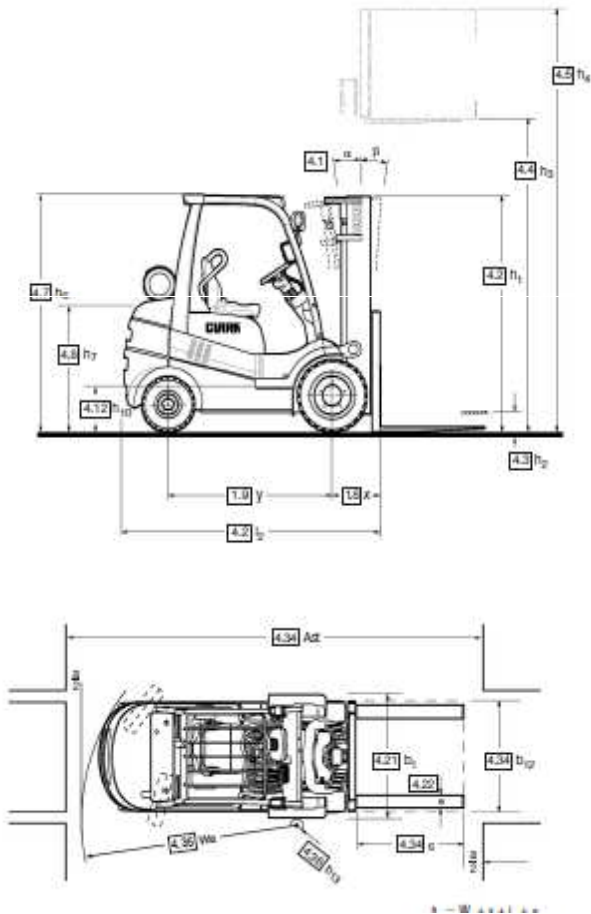


# MD 30 L

## Forklifts

- Electric and diesel versions
- Forks shift device
- Models with hydraulic forks extension system, extendable up to 180 cm
- High versatility and easy use
- Diesel powered models are equipped with triplex mast, side shift forks, flashing light

Diesel Forklifts 30 q	CLARK C 30 D
	MD 30 L
Lift capacity (kg)	3000
Total Weight (kg)	4235
Stowed height (m)	2.17
Forks height (m)	4.80
Overall length (m)	2.67
Overall width (m)	1.24
Forks thickness (mm)	45.00

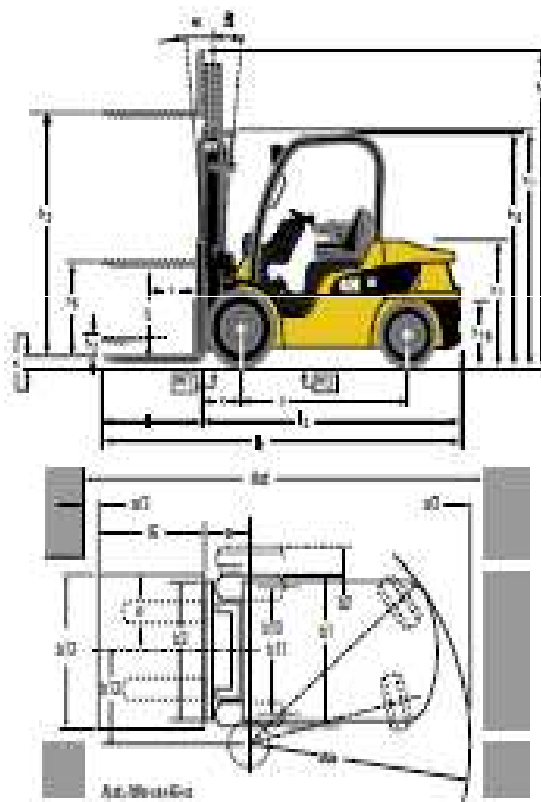


# MD 30 C

## Forklifts

- Electric and diesel versions
- Forks shift device
- Models with hydraulic forks extension system, extendable up to 180 cm
- High versatility and easy use
- Diesel powered models are equipped with triplex mast, side shift forks, flashing light

Diesel Forklifts 30 q	CAT DP 30 N
	MD 30 C
Lift capacity (kg)	3000
Total Weight (kg)	4360
Stowed height (m)	2.17
Forks height (m)	4.70
Overall length (m)	2.73
Overall width (m)	1.28/ 1.70
Forks thickness (mm)	45.00



# MD 30 Y

## Forklifts

- Electric and diesel versions
- Forks shift device
- Models with hydraulic forks extension system, extendable up to 180 cm
- High versatility and easy use
- Diesel powered models are equipped with triplex mast, side shift forks, flashing light

### Diesel Forklifts 30 q

### Toyota Tonerò 02 – 8FDF30

### MD 30 Y

Lift capacity (kg)	3000
Total Weight (kg)	4550
Stowed height (m)	2.26
Forks height (m)	4.70
Overall length (m)	2.78
Overall width (m)	1.24
Forks thickness (mm)	45.00

