

VE 6 AH

Electric Scissor Lifts

- Versions with shift system when raised
- Models with lateral extension
- Battery autonomy for the whole working day
- Ideal for interior work on paved surfaces
- Versions designed for mixed use on compact unpaved surfaces
- Maximum stability at maximum height
- All models are CE Certified

Electric Scissor Lifts 6 m

Working height (m)

Platform height (m)

Stowed height (m)

Width (m)

Length (m)

Outreach / Extension (m)

Lift capacity (kg)

Total Weight (kg)

Platform size (cm)

HAULOTTE COMPACT 8W

VE 6 AH

8.27

6.27

2.14

1.20

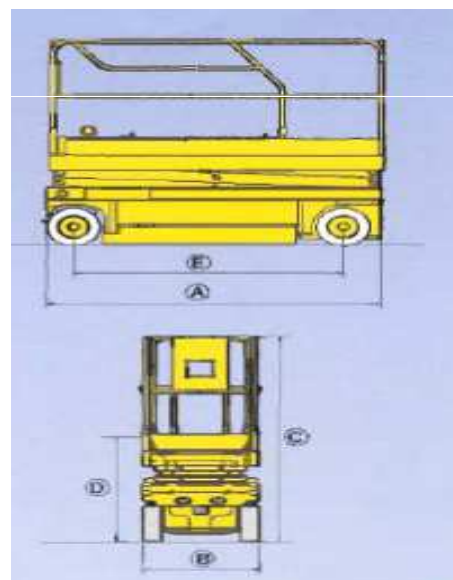
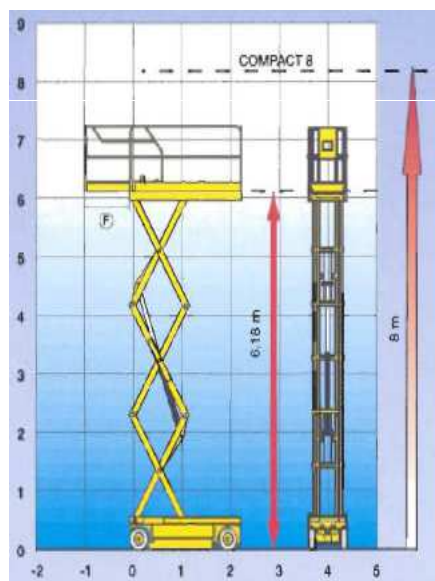
2.42

0.92

450

1950

230x120



VE 6 K

Electric Scissor Lifts

- Versions with shift system when raised
- Models with lateral extension
- Battery autonomy for the whole working day
- Ideal for interior work on paved surfaces
- Versions designed for mixed use on compact unpaved surfaces
- Maximum stability at maximum height
- All models are CE Certified

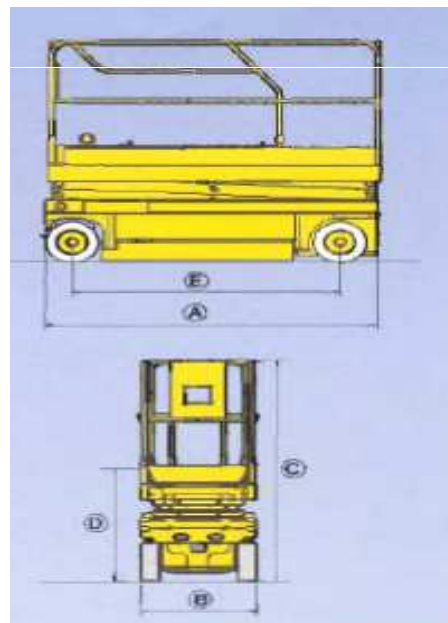
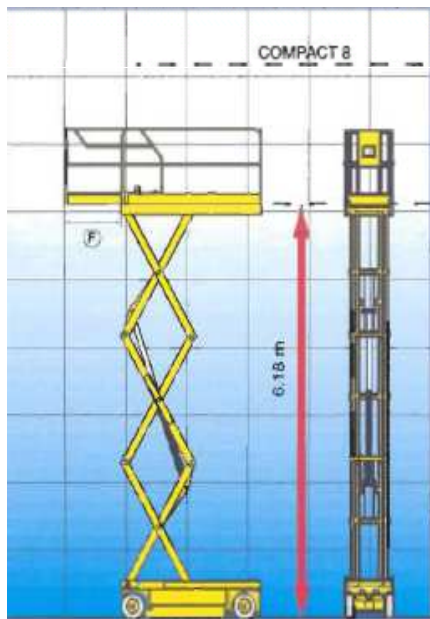
Electric Scissor Lifts 6 m

Working height (m)
Platform height (m)
Stowed height (m)
Width (m)
Length (m)
Outreach / Extension (m)
Lift capacity (kg)
Total Weight (kg)
Platform size (cm)

SKYJACK SJIII 3220M

VE 6 K

8.10
6.10
2.11
0.81
2.33
1.00
408
1592
213x71



VE 6 SH

Electric Scissor Lifts

- Versions with shift system when raised
- Models with lateral extension
- Battery autonomy for the whole working day
- Ideal for interior work on paved surfaces
- Versions designed for mixed use on compact unpaved surfaces
- Maximum stability at maximum height
- All models are CE Certified

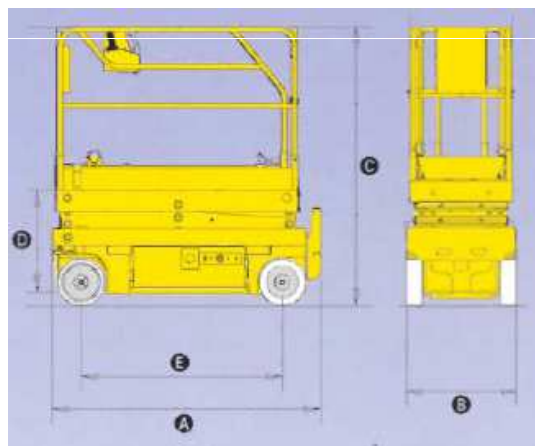
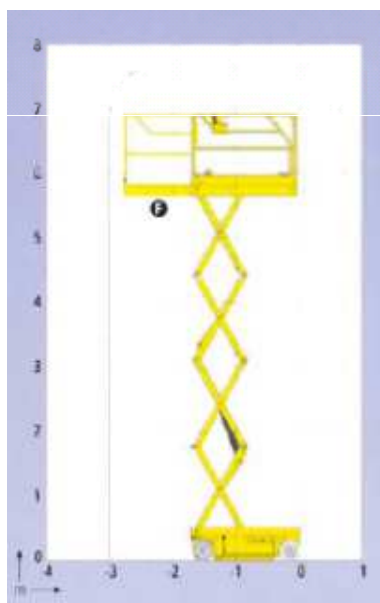
Electric Scissor Lifts 6 m

Working height (m)	7.76
Platform height (m)	5.76
Stowed height (m)	2.00
Width (m)	0.76
Length (m)	1.88
Outreach / Extension (m)	0.92
Lift capacity (kg)	230
Total Weight (kg)	1325
Platform size (cm)	165x70

HAULOTTE OPTIMUM 8

VE 6 SH

Working height (m)	7.76
Platform height (m)	5.76
Stowed height (m)	2.00
Width (m)	0.76
Length (m)	1.88
Outreach / Extension (m)	0.92
Lift capacity (kg)	230
Total Weight (kg)	1325
Platform size (cm)	165x70



VE 6 SK

Electric Scissor Lifts

- Versions with shift system when raised
- Models with lateral extension
- Battery autonomy for the whole working day
- Ideal for interior work on paved surfaces
- Versions designed for mixed use on compact unpaved surfaces
- Maximum stability at maximum height
- All models are CE Certified

Electric Scissor Lifts 6 m

SKYJACK SJIII 3219	
VE 6 SK	
Working height (m)	7.80
Platform height (m)	5.80
Stowed height (m)	2.11
Width (m)	0.81
Length (m)	1.72
Outreach / Extension (m)	0.99
Lift capacity (kg)	227
Total Weight (kg)	1240
Platform size (cm)	163x66

