

AE 14 BQH

Electric Articulated Boom Lifts

- Versions with shift system when raised
- All models are equipped with a basket with JIB
- Ideal for interior work on paved surfaces
- Multipower versions equipped with diesel power to recharge batteries in environments without electricity
- BiFuel versions - dual power diesel / electric
- 4x4 steering wheel drive
- All models are CE Certified

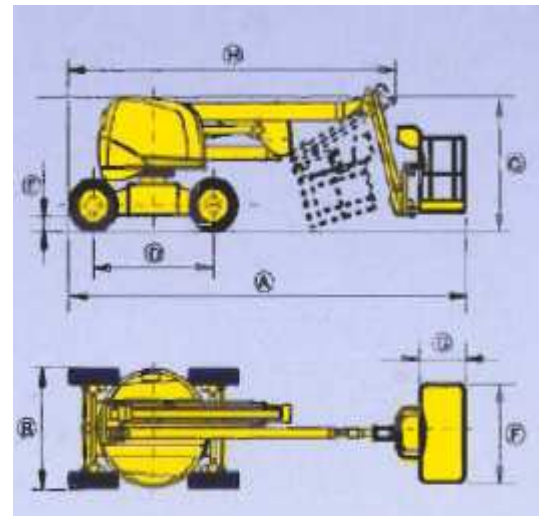
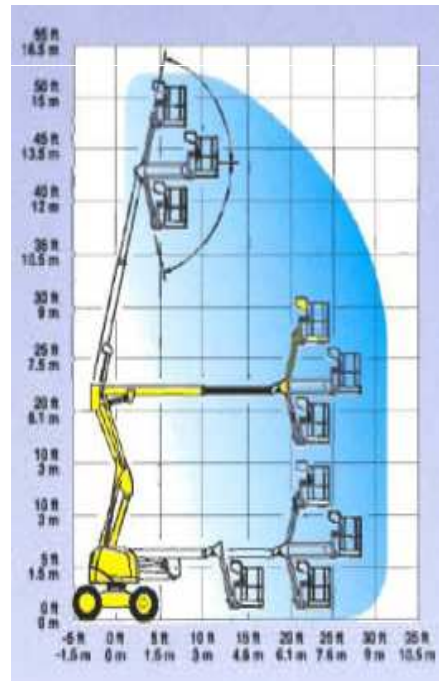
Electric Articulated Boom Lifts 14 m

| | |
|--------------------------|----------|
| Working height (m) | 16.00 |
| Platform height (m) | 14.00 |
| Stowed height (m) | 2.00 |
| Width (m) | 1.83 |
| Length (m) | 6.65 |
| Outreach / Extension (m) | 9.10 |
| Lift capacity (kg) | 250 |
| Total Weight (kg) | 7885 |
| Platform size (cm) | 150 x 80 |

HAULOTTE HA16PE

AE 14 BQH

| | |
|--------------------------|----------|
| Working height (m) | 16.00 |
| Platform height (m) | 14.00 |
| Stowed height (m) | 2.00 |
| Width (m) | 1.83 |
| Length (m) | 6.65 |
| Outreach / Extension (m) | 9.10 |
| Lift capacity (kg) | 250 |
| Total Weight (kg) | 7885 |
| Platform size (cm) | 150 x 80 |



AE 14 G

Electric Articulated Boom Lifts

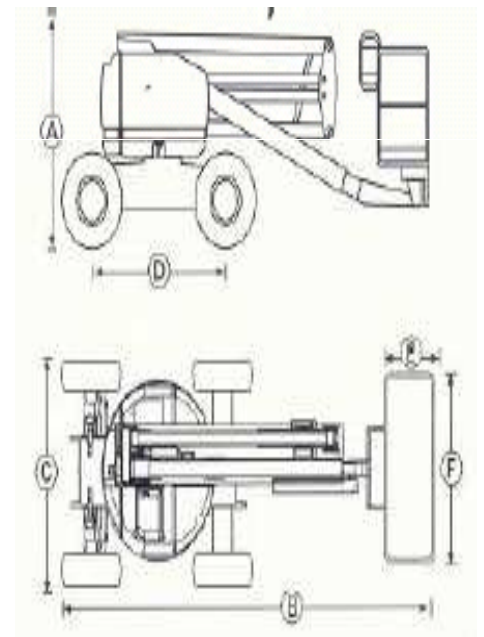
- Versions with shift system when raised
- All models are equipped with a basket with JIB
- Ideal for interior work on paved surfaces
- Multipower versions equipped with diesel power to recharge batteries in environments without electricity
- BiFuel versions - dual power diesel / electric
- 4x4 steering wheel drive
- All models are CE Certified

Electric Articulated Boom Lifts 14 m

GENIE Z45/25

AE 14 G

| | |
|--------------------------|---------|
| Working height (m) | 15.92 |
| Platform height (m) | 13.92 |
| Stowed height (m) | 2.00 |
| Width (m) | 1.79 |
| Length (m) | 6.83 |
| Outreach / Extension (m) | 7.65 |
| Lift capacity (kg) | 227 |
| Total Weight (kg) | 7394 |
| Platform size (cm) | 183x 76 |



AE 14 J

Electric Articulated Boom Lifts

- Versions with shift system when raised
- All models are equipped with a basket with JIB
- Ideal for interior work on paved surfaces
- Multipower versions equipped with diesel power to recharge batteries in environments without electricity
- BiFuel versions - dual power diesel / electric
- 4x4 steering wheel drive
- All models are CE Certified

Electric Articulated Boom Lifts 14 m

Working height (m)

Platform height (m)

Stowed height (m)

Width (m)

Length (m)

Outreach / Extension (m)

Lift capacity (kg)

Total Weight (kg)

Platform size (cm)

JLG E450AJ

AE 14 J

15.72

13.72

2.01

1.75

6.45

7.24

230

6532

152x76

