

ME 18 T

Forklifts

- Electric and diesel versions
- Forks shift device
- Models with hydraulic forks extension system, extendable up to 180 cm
- High versatility and easy use
- Diesel powered models are equipped with triplex mast, side shift forks, flashing light

Electric Forklifts 18 q

STILL R20-15

ME 18 T

Lift capacity (kg)

1800

Total Weight (kg)

3170

Stowed height (m)

1.99/ 2.30

Forks height (m)

4.19/4.94

Overall length (m)

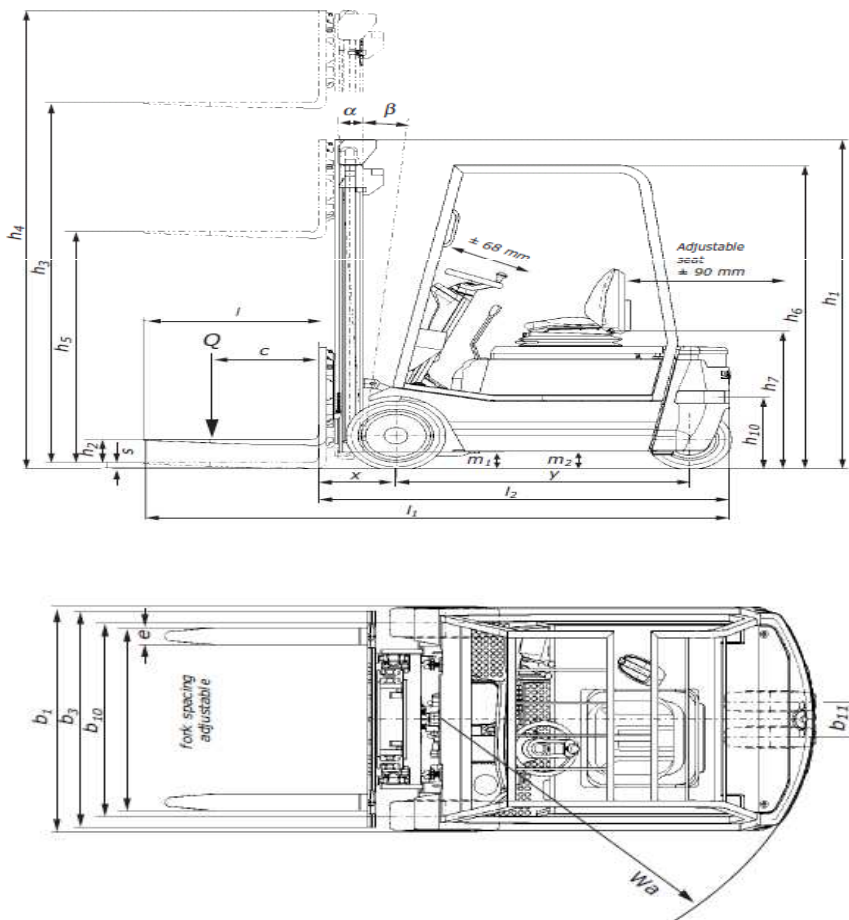
2.78

Overall width (m)

1.14

Forks thickness (mm)

40.00



ME 18 L

Forklifts

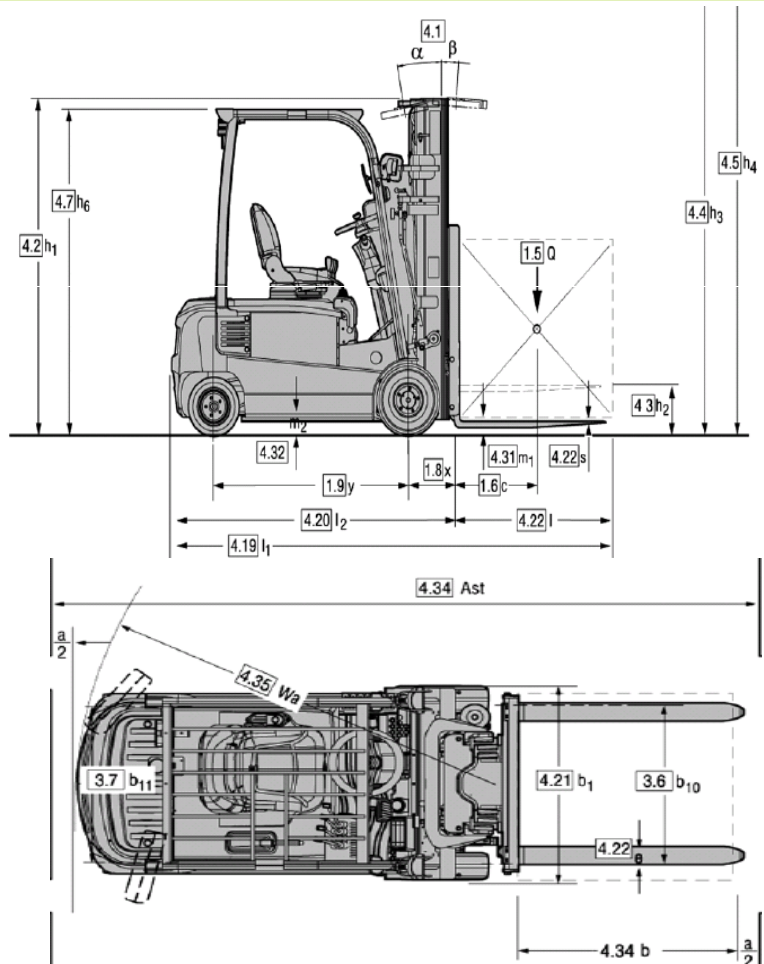
- Electric and diesel versions
- Forks shift device
- Models with hydraulic forks extension system, extendable up to 180 cm
- High versatility and easy use
- Diesel powered models are equipped with triplex mast, side shift forks, flashing light

Electric Forklifts 18 q

CLARK GE18XT

ME 18 L

Lift capacity (kg)	1800
Total Weight (kg)	3235
Stowed height (m)	2.17
Forks height (m)	4.80
Overall length (m)	3.16
Overall width (m)	1.06
Forks thickness (mm)	40.00



ME 18 Y

Forklifts

- Electric and diesel versions
- Forks shift device
- Models with hydraulic forks extension system, extendable up to 180 cm
- High versatility and easy use
- Diesel powered models are equipped with triplex mast, side shift forks, flashing light

Electric Forklifts 18 q

TOYOTA TRAIKO48 8FBET18

ME 18 Y

Lift capacity (kg)	1800
Total Weight (kg)	4458
Stowed height (m)	2.15
Forks height (m)	4.70
Overall length (m)	2.00
Overall width (m)	1.05
Forks thickness (mm)	35.00

