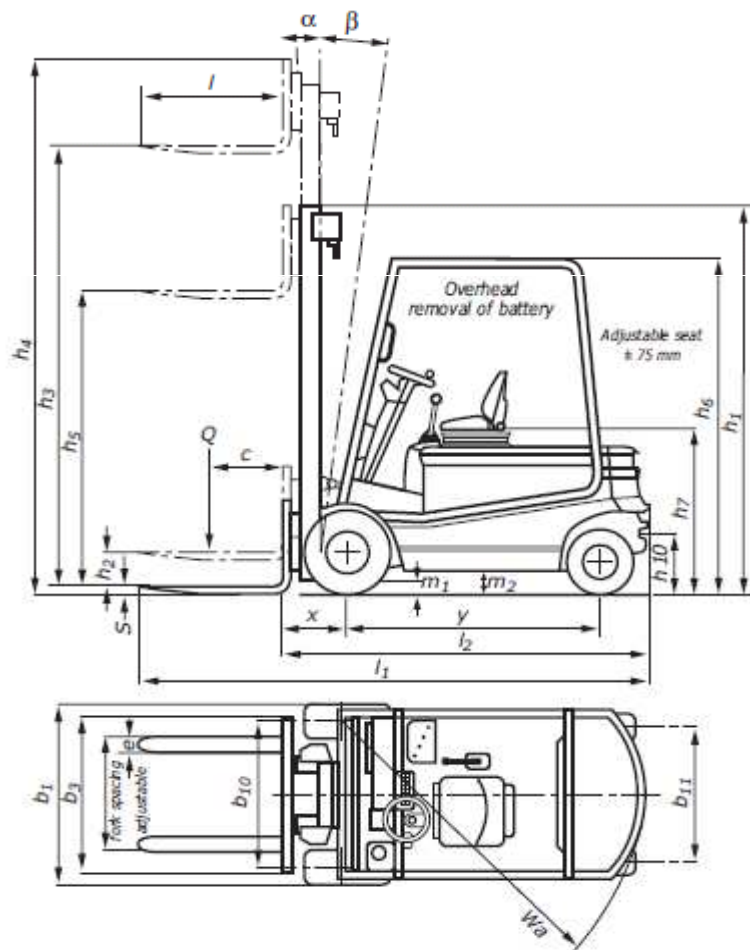


# ME 30 T

## Forklifts

- Electric and diesel versions
- Forks shift device
- Models with hydraulic forks extension system, extendable up to 180 cm
- High versatility and easy use
- Diesel powered models are equipped with triplex mast, side shift forks, flashing light

Electric Forklifts 30 q	STILL R60-30
	ME 30 T
Lift capacity (kg)	3000
Total Weight (kg)	5025
Stowed height (m)	2.00/ 2.77
Forks height (m)	4.35/6.40
Overall length (m)	3.43
Overall width (m)	1.20/ 1.24
Forks thickness (mm)	50.00



# ME 30 Y

## Forklifts

- Electric and diesel versions
- Forks shift device
- Models with hydraulic forks extension system, extendable up to 180 cm
- High versatility and easy use
- Diesel powered models are equipped with triplex mast, side shift forks, flashing light

Electric Forklifts 30 q	Toyota 7FBMF30
	ME 30 Y
Lift capacity (kg)	3000
Total Weight (kg)	7022
Stowed height (m)	2.23
Forks height (m)	4.70
Overall length (m)	2.54
Overall width (m)	1.22
Forks thickness (mm)	45.00

