

VD 16 H

Diesel Scissor Lifts

- Versions with shift system when raised
- Models with lateral extension
- Battery autonomy for the whole working day
- Ideal for interior work on paved surfaces
- Versions designed for mixed use on compact unpaved surfaces
- Maximum stability at maximum height
- All models are CE Certified

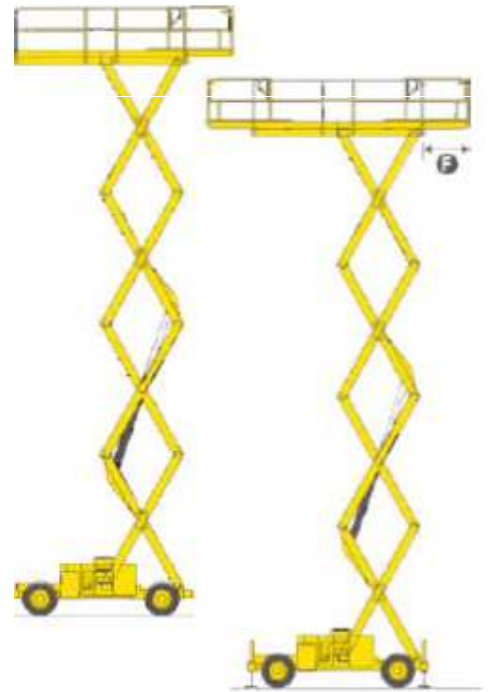
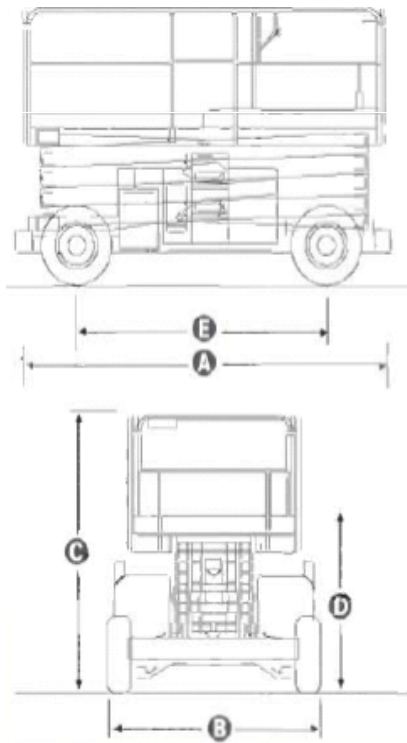
Diesel Scissor Lifts 16 m

Working height (m)
Platform height (m)
Stowed height (m)
Driving max height (m)
Width (m)
Length (m)
Outreach / Extension (m)
Lift capacity (kg)
Total Weight (kg)
Platform size (cm)

HAULOTTE H18DX

VD 16 H

18.00
16.00
2.97
8.00
2.25
4.12
1.00 (x2)
500
6850
400x180



VD 16 H - new

Diesel Scissor Lifts

- Versions with shift system when raised
- Models with lateral extension
- Battery autonomy for the whole working day
- Ideal for interior work on paved surfaces
- Versions designed for mixed use on compact unpaved surfaces
- Maximum stability at maximum height
- All models are CE Certified

Diesel Scissor Lifts 16 m

Working height (m)
Platform height (m)
Stowed height (m)
Driving max height (m)
Width (m)
Length (m)
Outreach / Extension (m)
Lift capacity (kg)
Total Weight (kg)
Platform size (cm)

HAULOTTE H18SX

VD 16 H - new

18.00
16.00
2.96
8.00
2.25
4.12
1.00 (x2)
500
7300
400x180

