

# AD 16 QH

## Diesel Articulated Boom Lifts

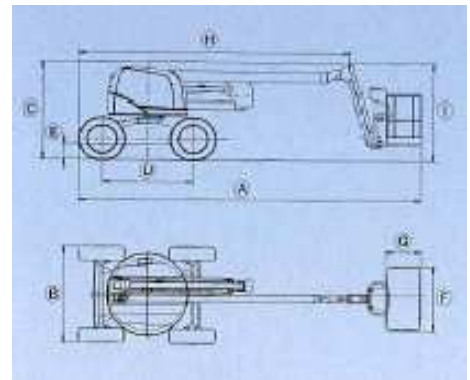
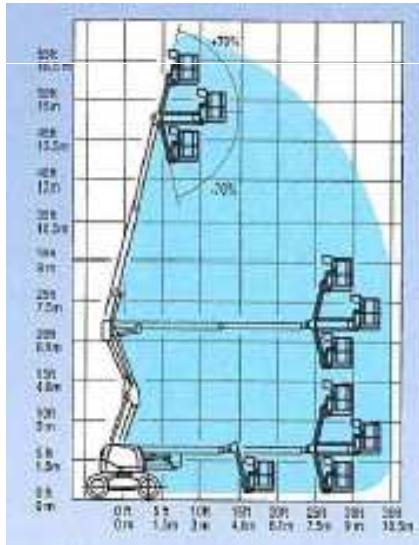
- Versions with shift system when raised
- 4x4 drive with antipuncture tyres
- Horizontal outreach
- Low fuel consumption
- Ideal for work environments with difficult access
- Ideal for exterior work on rough surfaces, with obstacles
- 359° rotating tower
- 4x4 steering wheel drive
- All models are equipped with a basket with JIB
- All models are CE Certified

### Diesel Articulated Boom Lifts 16 m

### HA 18 PX

### AD 16 QH

Working height (m)	17.30
Platform height (m)	15.30
Stowed height (m)	2.20
Width (m)	2.38
Length (m)	7.60
Outreach / Extension (m)	10.60
Lift capacity (kg)	230
Total Weight (kg)	8120
Platform size (cm)	180 x 80



# AD 16 H

## Diesel Articulated Boom Lifts

- Versions with shift system when raised
- 4x4 drive with antipuncture tyres
- Horizontal outreach
- Low fuel consumption
- Ideal for work environments with difficult access
- Ideal for exterior work on rough surfaces, with obstacles
- 359° rotating tower
- 4x4 steering wheel drive
- All models are equipped with a basket with JIB
- All models are CE Certified

### Diesel Articulated Boom Lifts 16 m

### HA 18 PX

### AD 16 H

Working height (m)	17.60
Platform height (m)	15.60
Stowed height (m)	2.15
Width (m)	2.33
Length (m)	7.60
Outreach / Extension (m)	10.55
Lift capacity (kg)	250
Total Weight (kg)	7890
Platform size (cm)	180 x 80

