

MD 25 L

Forklifts

- Electric and diesel versions
- Forks shift device
- Models with hydraulic forks extension system, extendable up to 180 cm
- High versatility and easy use
- Diesel powered models are equipped with triplex mast, side shift forks, flashing light

Diesel Forklifts 25 q

CLARK C 25 D

MD 25 L

Lift capacity (kg)

2500

Total Weight (kg)

3805

Stowed height (m)

2.17

Forks height (m)

4.80

Overall length (m)

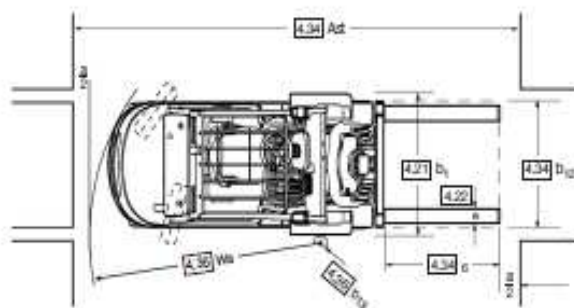
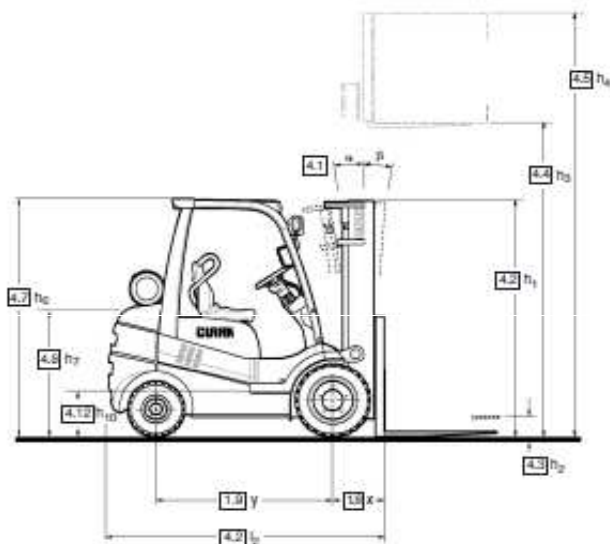
2.56

Overall width (m)

1.19

Forks thickness (mm)

45.00



$A = W + z + l + s$

MD 25 C

Forklifts

- Electric and diesel versions
- Forks shift device
- Models with hydraulic forks extension system, extendable up to 180 cm
- High versatility and easy use
- Diesel powered models are equipped with triplex mast, side shift forks, flashing light

Diesel Forklifts 25 q	CAT DP25N
	MD 25 C
Lift capacity (kg)	2500
Total Weight (kg)	4300
Stowed height (m)	2.59
Forks height (m)	4.10
Overall length (m)	2.55
Overall width (m)	1.15
Forks thickness (mm)	40.00

